



The new degree of comfort.™

Air | Gas Furnaces
R801P UF/HZ

INGREDIENTS FOR A COMFORTABLE HOME

The Rheem *Classic*® Series Gas Furnace has all the right ingredients to create a comfortable home for you and your family. Industry-exclusive features deliver peace of mind. Our furnace is not only reliable, it's also quiet. So you can stay focused on what matters most.

R801P Upflow/Horizontal *Classic*® Series 80% AFUE*



Peace of Mind

In addition to many features to ensure years of reliability, our new gas furnace is backed by some of the best warranties in the industry.

Reliability

We're serious about the quality and reliability of our products. That's why our gas furnace is engineered with the exclusive PlusOne™ Ignition System, one of the most dependable ignition systems on the market.



INTEGRATED HOME COMFORT

Rheem.com

Engineered for High-Performance



Rheem-Exclusive
PlusOne™
Ignition System



Industry-First
PlusOne™
Diagnostics

**We Thought of
Everything... And
Then Some.**

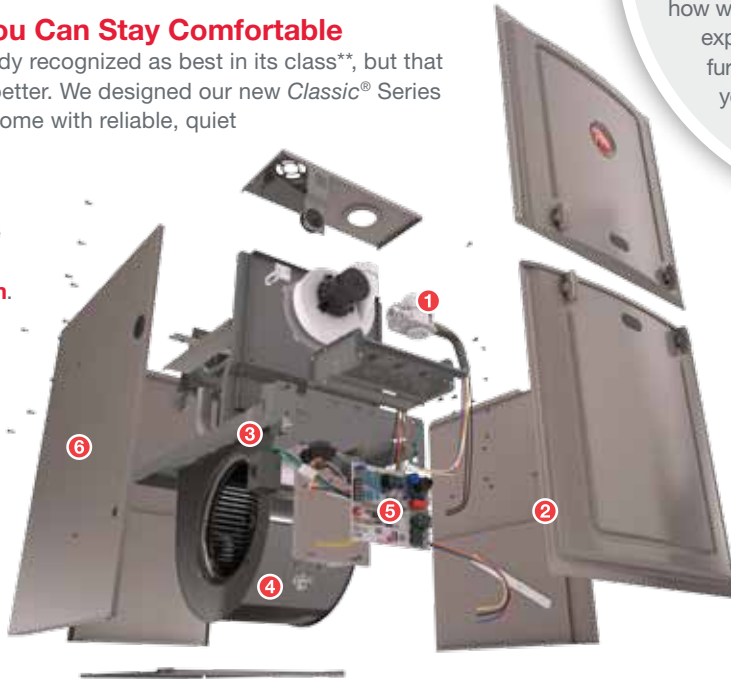
360⁺¹

The Rheem *Classic*® Series Gas Furnace was developed using our 360°+1 design philosophy, which means every detail of the product is meticulously evaluated from every angle. We consider the work that goes into installing and servicing our products, as well as how we can deliver the very best homeowner experience. And then we take it a step further. That's 360°+1. And that's why you can count on your gas furnace to bring you and your family years of comfort.

We Did the Work So You Can Stay Comfortable

Our gas furnace line was already recognized as best in its class**, but that didn't stop us from making it better. We designed our new *Classic*® Series Gas Furnace to provide your home with reliable, quiet comfort for years to come.

Reliability is essential to your home comfort. That's why we've engineered our gas furnace with the **1 PlusOne™ Ignition System**. Our **Direct Spark Ignition** is a Rheem-exclusive feature that's nine times more reliable than most hot surface igniters. It's also the same proven design used in commercial HVAC equipment and gas home appliances. Our patented heat exchanger is designed for quick and easy cleaning – and a clean furnace is a long-running furnace.



Quiet operation is the result of a **2 tighter door seal** that helps eliminate whistling. We've also added **3 rubber grommets** on the motor mounts and a **4 twist-lock wire harness in the blower shelf**. The result is an impressively quiet furnace.

Fast and accurate diagnostics are a big benefit to both you and your dealer. The Rheem *Classic*® Series Gas Furnace features **5 PlusOne Diagnostics**, our industry-first 7-segment alphanumeric LED display that simplifies troubleshooting. Just in case there's a need, service calls are faster, which ultimately saves you money.

Save on your energy bill with a new gas furnace from Rheem. Our R801P delivers 80% AFUE, which means 80% of the fuel in your furnace is converted to heat for more efficient comfort and savings for your home.

Hassle-free installation saves you and your dealer time and trouble. The **6 34" cabinet** fits nicely in tight spaces allowing for both new construction and retrofit installations.

YOUR LOCAL RHEEM DEALER

Benefits At-A-Glance

PlusOne Features:

PlusOne **Ignition System** –
Direct Spark Ignition
PlusOne **Diagnostics** –
7-segment LED display

Warranties***:

Conditional parts – 10-year
Heat exchanger – 20-year

Efficiency*:

80% AFUE

Reliability:

PlusOne **Ignition System** for
nine times more reliability

Sound Level:

Tighter door seals, rubber grommets
and a twist-lock wire harness in the
blower shelf ensure quiet operation



Rheem Heating, Cooling
& Water Heating

Founded in 1925, our mission is still simple: help your family enjoy a new degree of comfort with solutions that keep you cool in the summer, warm in the winter and enjoying hot water year-round. To learn more about our products, including our line of Integrated Home Comfort Solutions, visit us online at Rheem.com.



Rheem USA

5600 Old Greenwood Road
Fort Smith, Arkansas 72903

In keeping with its policy of continuous progress & product improvement, Rheem reserves the right to make changes without notice.

*Annual Fuel Utilization Efficiency (AFUE) measures the amount of heat delivered to a home compared to the amount of fuel that is supplied to the unit. Higher AFUE ratings reflect higher efficiency.

**80% Gas Furnace and AC Focus Group Analysis/February 10, 2011

***Registration within 60 days of installation, original homeowner and residential application only. See Warranty Card for full details.

